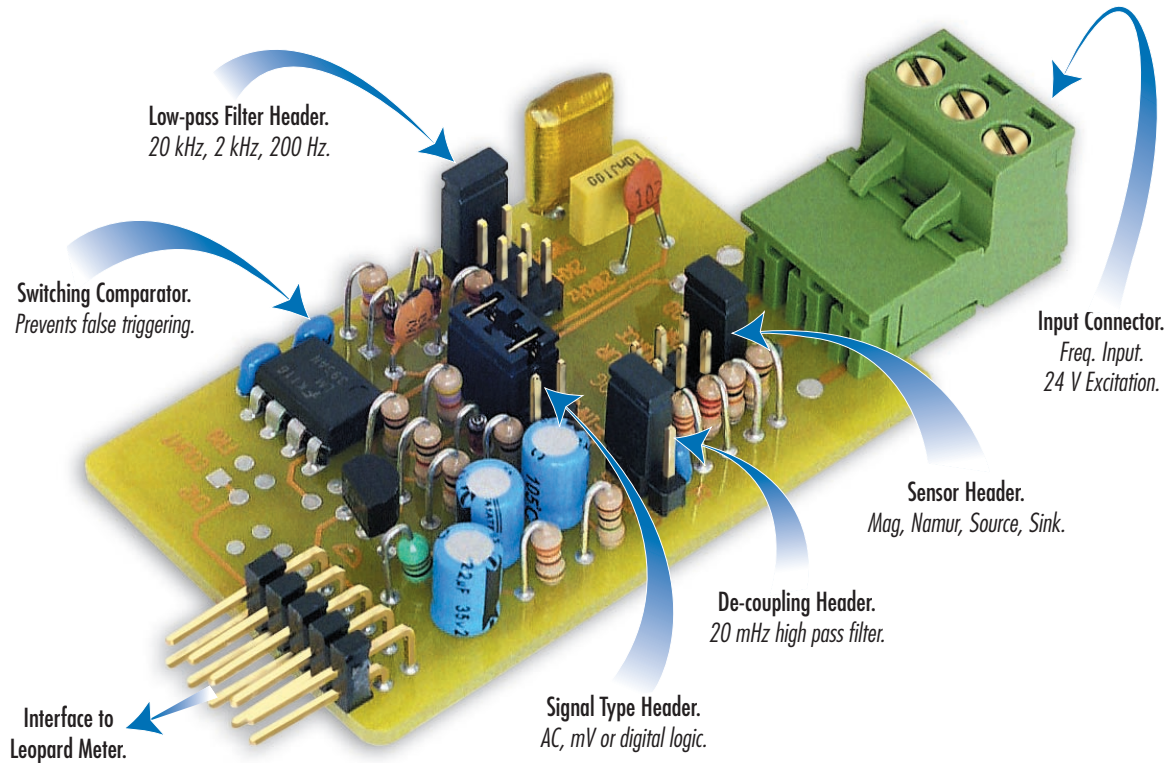


## FREQ./RPM INPUT MODULE WITH 24 V EXC.

FREQ./RPM WITH 24 V EXC.



Your first choice frequency/rpm input module.

Should your transducer be a magnetic pick-up outputting small AC volts or an open-collector transistor switching voltage levels, the IF05 is easily connected with a selection of configuration headers. These headers provide a variety of options to interface to time varying or change-of-state signals.

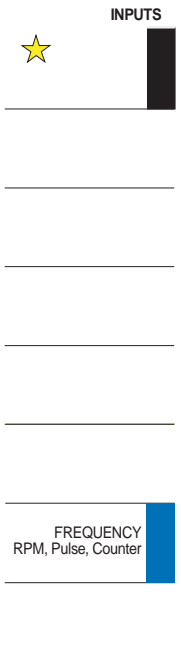
**Input Module  
Order Code Suffix**

IF05

- BL-40F
- BL-40RPM
- DL-40F
- DL-40RPM



	Hardware Module Specifications
Signal Input	0-24 V DC, 0-30 V AC.
Low-pass Filter Header	Off, 200 Hz, 2 kHz, 20 kHz cut off frequency.
De-coupling Header	DC component removed by 0.02 Hz high-pass filter.
Sensor Header	Optional sink / source for digital transistor or switch interface; specific Namur 2-wire proximity detector option; magnetic pick-up (AC) choice.
Signal Type Header	Choice of DC (logic) or AC signal type.
Frequency Response	Set by Leopard meter configuration software. Display to 9999 counts.
Excitation Voltage	24 V DC (50 mA maximum) to power external transducers.
Maximum Input Frequency	20 kHz.



# Connector Pinouts & Module Layout

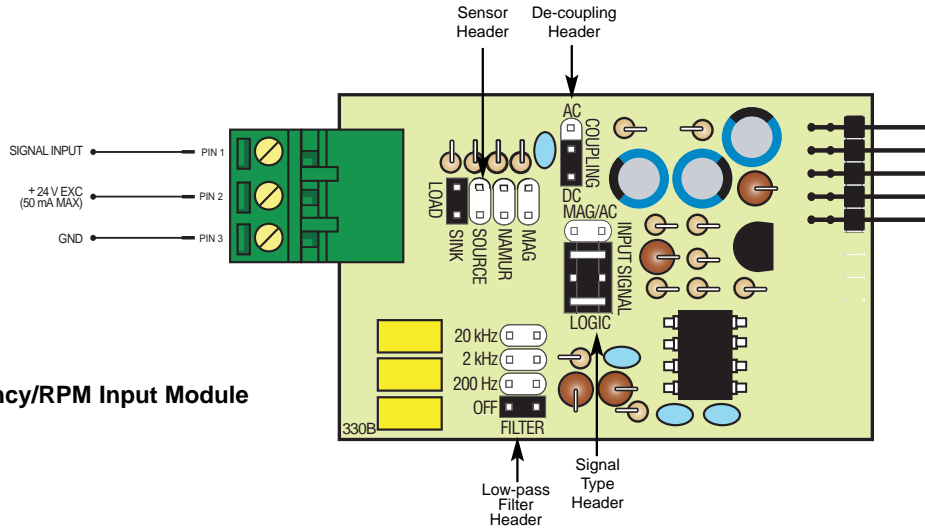


Figure 1 – IF05 Frequency/RPM Input Module

## Detailed Description

The IF05 is a frequency/RPM input module designed specifically for BL-40F, BL-40RPM, DL-40F, and DL-40RPM meters in the Leopard family range. The IF05 input module receives and conditions a frequency input via pin 1 and supplies the input to the meter for further processing. Selectable on-board headers provide configuration settings allowing different sensor types to be selected along with high and low-pass filtering.

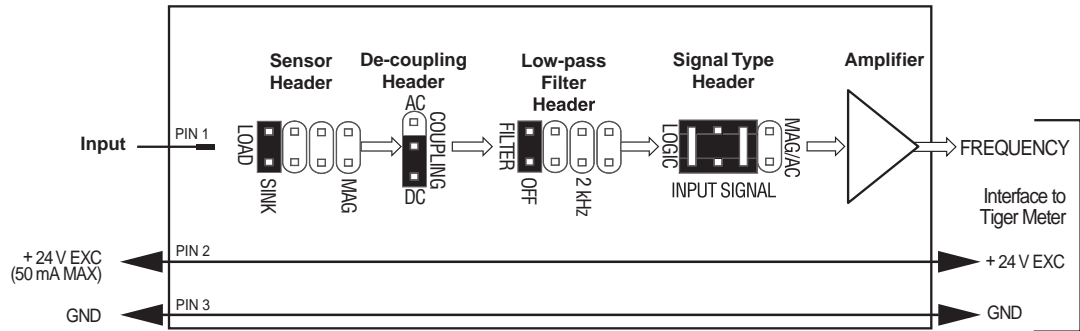


Figure 2 – IF05 Frequency/RPM Input Module Signal Flow Diagram

## Interface Configuration Examples

The following example diagrams show the various header settings and input connections required for a range of input sensor types.

### Example 1 – NPN Open-collector Output with Proximity Switch

Figure 3 shows a 3-wire proximity switch taking +24 V excitation from the meter with an NPN open-collector signal output connected to the input module as frequency with no filtering.

The input header is set to SINK connecting the signal output to +24 V via an on-board 10 k pull-up resistor. As the proximity switch is activated, the signal is forced to ground.

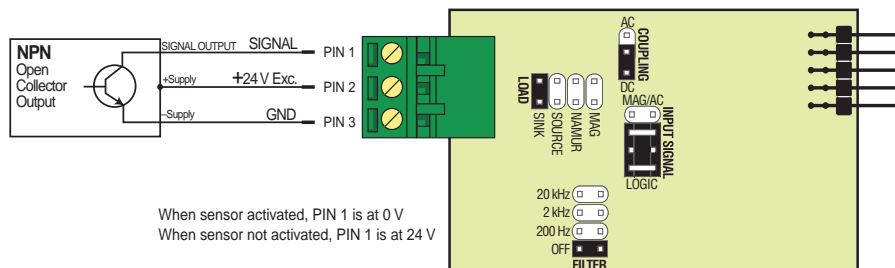


- Header Note:**
- Sensor Header set to SINK.
  - Low-pass Filter Header set to OFF.
  - Signal Type Header set to LOGIC.
  - De-coupling Header set to DC.



- Header Note:**
- If the signal is noisy, select the 2 kHz or 200 Hz low-pass filter setting on the low-pass filter header.

Figure 3 – 3-wire Proximity Switch with NPN Open-collector Output



## Example 2 – PNP Open-collector Output with Proximity Switch

Figure 4 shows a 3-wire proximity switch taking +24 V excitation from the meter with a PNP open-collector signal output connected to the input module as frequency with no low-pass filtering.

The input header is set to SOURCE connecting the input signal to a 10 k pull-down resistor to ground. When the proximity switch is activated, the input signal switches from 0 V to +24 V.

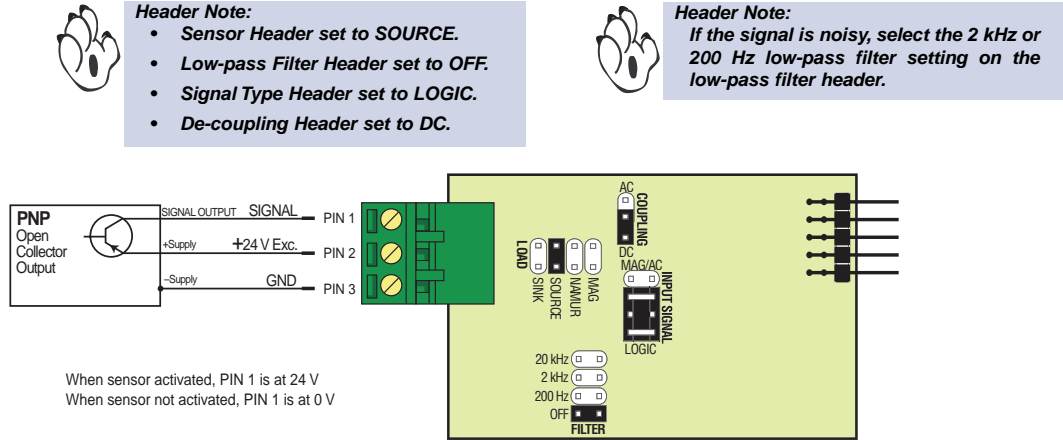


Figure 4 – 3-wire Proximity Switch with PNP Open-collector Output

## Example 3 – Hall Effect / Magnetic Pickup – mV Input

Figure 5 shows a magnetic pickup. With small AC signals a shielded cable should be used to avoid stray pickup.

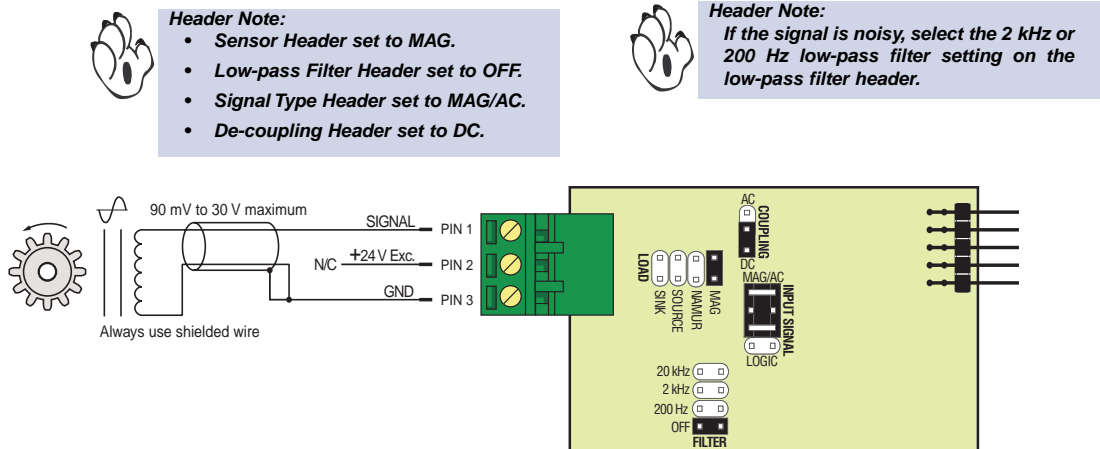


Figure 5 – Hall Effect / Magnetic Pickup – mV Input

## Example 4 – TTL Input

Figure 6 shows a TTL input. The TTL input requires the sensor header to be placed in the SINK position. In this example the TTL logic has a separate +5 V supply.

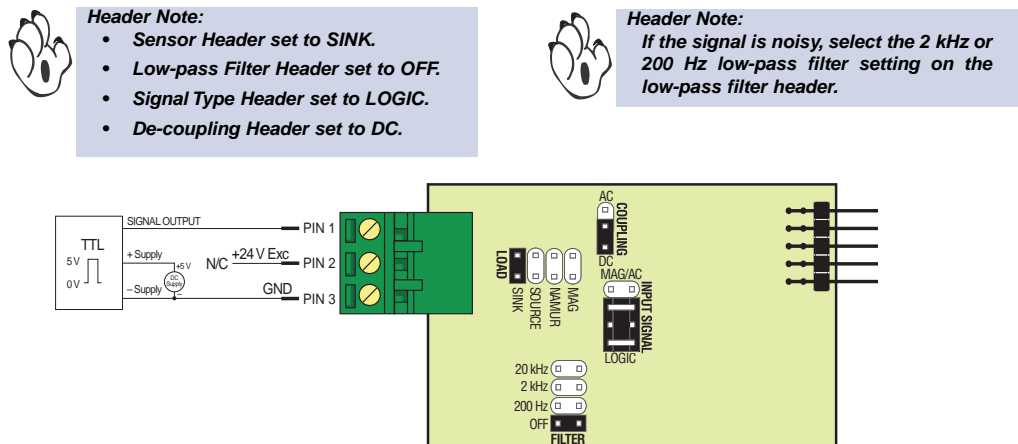


Figure 6 – TTL Input

## Example 5 – Digital Input with DC Voltage Offset

Figure 7 shows a digital input with voltage offset. In this situation the DC component of the signal is removed by selecting the AC option on the decoupling header. The digital input has its own supply voltage.



**Header Note:**

- Sensor Header set to **SINK**.
- Low-pass Filter Header set to **OFF**.
- Signal Type Header set to **MAG/AC**.
- De-coupling Header set to **AC**.



**Header Note:**

- If the signal is noisy, select the 2 kHz or 200 Hz low-pass filter setting on the low-pass filter header.

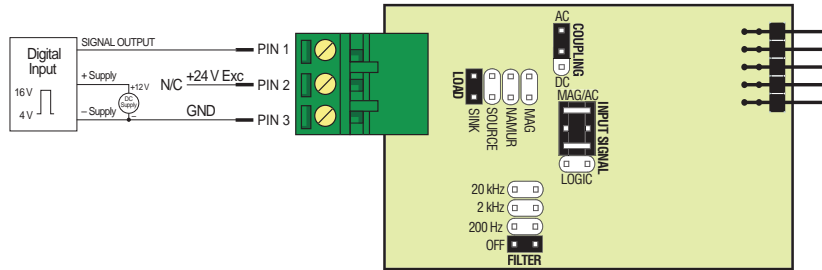


Figure 7 – Digital Input with DC Component

## Example 6 – Pushbutton Switch

Figure 8 shows a pushbutton switch. The low-pass filter header is set to 200 Hz to debounce mechanical contacts. The sensor header is set to SINK to pull-up the input signal to +24 V until it is switched to ground when the pushbutton is pressed.



**Header Note:**

- Sensor Header set to **SINK**.
- Low-pass Filter Header set to **OFF**.
- Signal Type Header set to **LOGIC**.
- De-coupling Header set to **DC**.



**Header Note:**

- If the signal is noisy, select the 2 kHz or 200 Hz low-pass filter setting on the low-pass filter header.

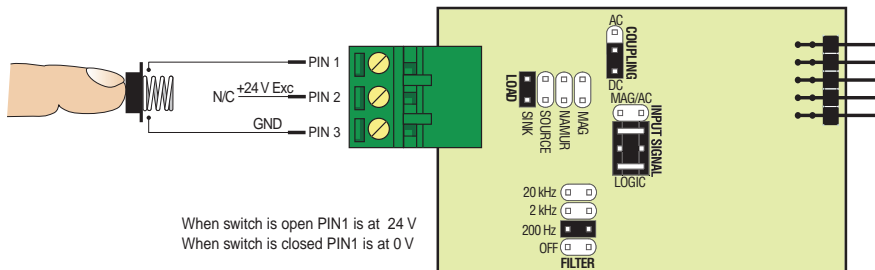


Figure 8 – Pushbutton Switch

## Example 7 – NAMUR Sensor

Figure 9 shows a NAMUR 2-wire proximity detector. Set the sensor header to NAMUR to ensure the detector has the correct output load (2 kΩ pull-down resistor) and to protect the sensor at +24 V excitation voltage. The current output of these detectors vary in response to the proximity of the target metal.



**Header Note:**

- Sensor Header set to **NAMUR**.
- Low-pass Filter Header set to **OFF**.
- Signal Type Header set to **LOGIC**.
- De-coupling Header set to **DC**.



**Header Note:**

- If the signal is noisy, select the 2 kHz or 200 Hz low-pass filter setting on the low-pass filter header.

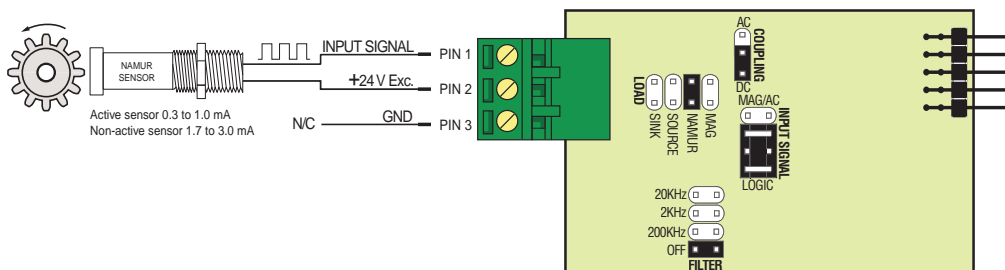


Figure 9 – NAMUR Sensor

## Example 8 – Tacho-generator Sensor

Figure 10 shows a tacho-generator. Set the sensor header to SOURCE to ensure the detector has the correct output load (2 kΩ pull-down resistor) and to protect the sensor at +24 V excitation voltage.

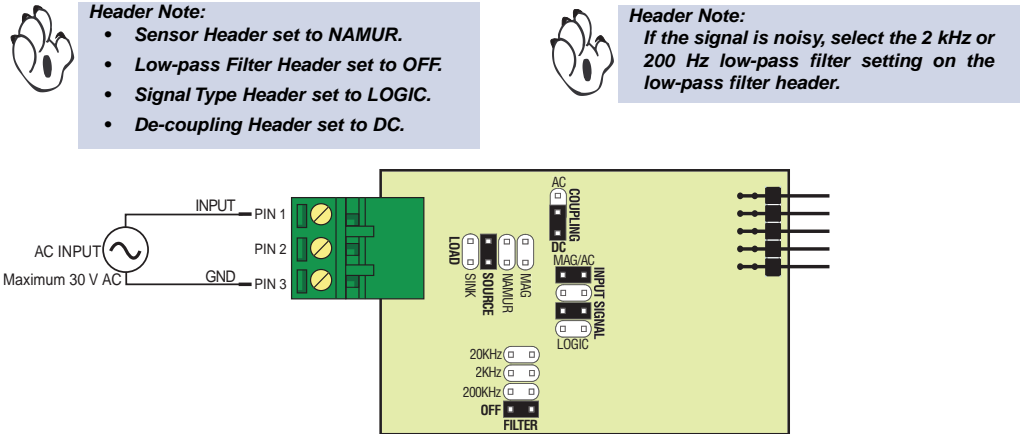


Figure 10 – Tacho-generator Sensor

## Setting Up IF05 for BL-40F and DL-40F Frequency Meters

To set up the IF05 input module for **frequency** input in a Leopard BL-40F or DL-40F frequency meter, carry out the following procedures:

### Step 1 Establish the scale factor for the desired display reading

$$\frac{\text{Maximum Display Range}}{\text{Input Frequency}} \times \text{Required Display Reading} = \text{Scale Factor}$$

### Step 2 Set the new scale factor

### Step 3 Select the range for the desired display reading

### Step 4 Select the decimal point position

**Frequency Meter  
Calibrated**

### Step 1 – Establish the Scale Factor

Establish the scale factor for the desired display reading. The default scale factor is 9999. If you want the scale factor to be anything other than the input frequency or multiples of 10 of the input frequency, then a new scale factor must be established and set.

For example:

If we had an input frequency of 4 Hz and required a display reading of 400 counts, then the scale factor would not change from 9999.

But, if we had an input frequency of 4 Hz and required a display reading of 120 counts, then the scale factor would be 2999. To establish a new scale factor, carry out the following calculation:

$$\frac{\text{Maximum Display Range (Default Scale Factor)}}{\text{Input Frequency}} \times \text{Required Display Reading} = \text{Scale Factor}$$

**Example:**  $\frac{9999}{4} \times 120 = 2999$

## Step 2 – Set the New Scale Factor

If the scale factor has to change, enter the meter calibration mode and set the new scale factor. See Figure 11 – Calibration Logic Diagram.

## Step 3 – Select the Range for the Desired Display Reading

The range multiplier and the decimal point position settings allow you to set the the display resolution to suit the desired display reading. The range multiplier allows you to display the reading using either a x1, x10, or x100 range setting. For example, if you had a 4 Hz frequency input and wanted it to display as 400, you would choose the x100 range multiplier.

But, what if you had a 4 Hz input and wanted it to display as 120. First you would need to establish and set the new scale factor. Then you apply the same principle as you would for 4 Hz to display 400 counts. 4 Hz is a single digit number and you require it to be displayed as 120 counts. 120 counts is a 3-digit number, so you effectively apply the x100 range multiplier, but because of the new scale factor, instead of displaying as 400 it is displayed as 120.

Table 1 shows how to use the range multiplier for a range of frequency inputs where the scale factor has not been changed. If the scale factor is changed, the number of digits shown depends on the range multiplier chosen.

Note, the decimal point shown on the display at this point is not the setting for the decimal point, but merely a means of displaying the range multiplier setting.

**Table 1 – Range Multiplier Settings**

Input	Multiplier	Display As	Meter Range Setting
4 Hz	x1	4	9 9 9 9
	x10	40	9 9 9 . 9
	x100	400	9 9 . 9 9
50 Hz	x1	50	9 9 9 9
	x10	500	9 9 9 . 9
	x100	5000	9 9 . 9 9
600 Hz	x1	600	9 9 9 9
	x10	6000	9 9 9 . 9
	x100	*60000	9 9 . 9 9

With the scale factor changed to display 120 counts for 4 Hz input, the displayed reading depends on the range multiplier selected.

4 Hz	x1	1	9 9 9 9
	x10	12	9 9 9 . 9
	x100	120	9 9 . 9 9

*\*Note:*

The Leopard BL-40F/BL-40RPM and DL-40F/DL-40RPM range has a 4-digit display, therefore, a x100 multiplier cannot be used on a 3-digit reading as this goes overrange.

Operational Display

9999

P ↑ CAL

OFF ↓

on

P SCALE

9999 ↓

2999 Example

P OFFS

0 ↓

P rG

9999 ↓

[9999]  
[99.99]  
[999.9]

See Table 1 for details

P .dP

[x.xxx]  
[xx.xx]  
[xxx.x]  
[xxxx]

See Table 2 for details

P br

[1]  
[2]  
[3]  
[4]

Operational Display

P 9999

### Step 4 – Select the Decimal Point Position

The decimal point can be set to one of three positions on the display or not displayed at all. This allows you to display a 4-digit reading as a full number (xxxx), a 3-digit reading to one decimal place (xxx.x), a 2-digit reading to two decimal places (xx.xx), or a 1-digit reading to three decimal places (x.xxx).

To complete our example in Step 3 where an input frequency of 4 Hz displays as 120 counts, set the decimal point to the xxx position. The display reads 120 at 4 Hz input.



**Note:**  
The Calibration Logic diagram shows the programming logic steps that are available with no analog output board installed. See the BL-40F or DL-40F data sheet for full programming procedures.

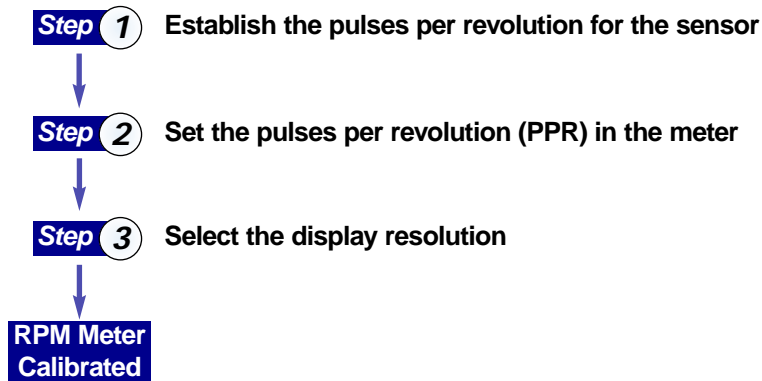
Figure 11 – Calibration Logic Diagram

Table 2 shows the display readings with a decimal point for a 4 Hz input set to the x100 range multiplier.

Table 2 – Decimal Point Settings			
Input	Multiplier Setting	DP Setting	Display Reading
4 Hz	x100	x.xxx	. 1 2 0
		xx.xx	1 . 2 0
		xxx.x	1 2 . 0
		xxxx	1 2 0

## Setting Up IF05 for BL-40RPM and DL-40RPM Meters

To set up the IF05 input module for rpm input in a Leopard BL-40RPM or DL-40RPM meter, carry out the following procedures:



### Step 1 – Establish the PPR for the Sensor

The sensor has an output rated in pulses per revolution (PPR). You will need this setting for the next step.

### Step 2 – Set the PPR in the Meter

Enter the meter's PPR and range setting mode and set the pulses per revolution you require (PPR output of your sensor). See Figure 12 – PPR & Range Setting Logic Diagram.

### Step 3 – Set the Display Resolution

After you have set the PPR setting, enter the range [rG] menu and select the resolution setting you require from one of the three ranges available.

#### Range Setting 0.1

This setting provides you with a resolution of 1 digit after the decimal point. For example, if your PPR setting is 1, then your display reading would be 1.0. If your PPR setting is 25, then your display reading would be 25.0. The maximum PPR in this range is 999.9 rpm.

#### Range Setting 1

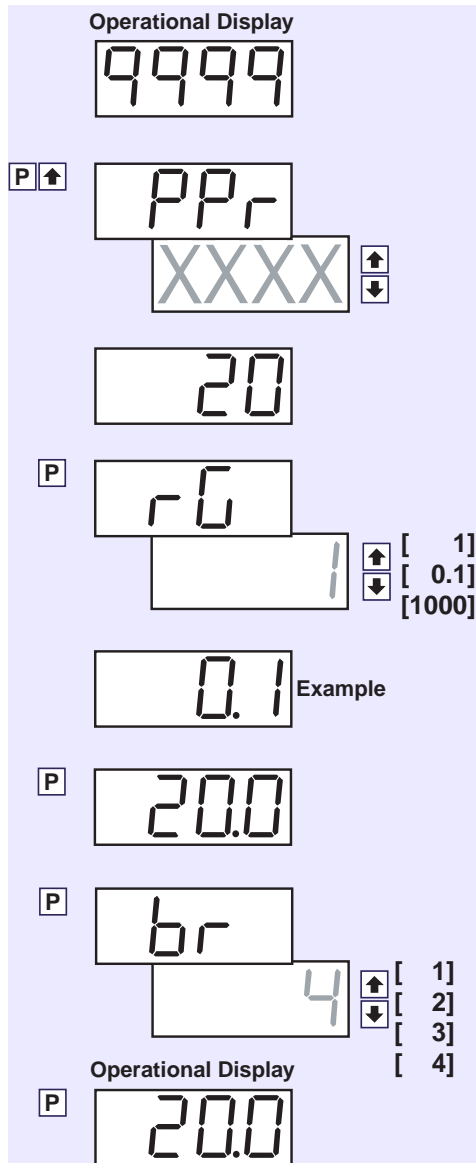
This setting provides you with a resolution of 1 to 1. For example, if your PPR setting is 1, then your display reading would be 1. If your PPR setting is 25, then your display reading would be 25. The maximum PPR in this range is 9999 rpm.

## Range Setting 1000

This setting provides you with a resolution of 2 digits after the decimal point. For example, if your PPR setting is 1, then your display reading would be 1.00. If your PPR setting is 25, then your display reading would be 25.00. The maximum PPR in this range is 99.99 rpm.

### Example

Figure 12 is a logic diagram showing the logic steps involved in setting up the IF05 input module for a BL-40RPM or DL-40RPM meter. The diagram is written as an example showing meter connected to a rotary encoder with an output rate of 100 pulses per revolution, displayed with 1 digit after the decimal point.



**Note:**  
With no analog output board installed, pressing the **[P]** buttons together immediately enters the **[PPr]** mode.

Figure 12 – PPR & Range Setting Logic Diagram

### WARRANTY

Texmate warrants that its products are free from defects in material and workmanship under normal use and service for a period of one year from date of shipment. Texmate's obligations under this warranty are limited to replacement or repair, at its option, at its factory, of any of the products which shall, within the applicable period after shipment, be returned to Texmate's facility, transportation charges pre-paid, and which are, after examination, disclosed to the satisfaction of Texmate to be thus defective. The warranty shall not apply to any equipment which shall have been repaired or altered, except by Texmate, or which shall have been subjected to misuse, negligence, or accident. In no case shall Texmate's liability exceed the original purchase price. The aforementioned provisions do not extend the original warranty period of any product which has been either repaired or replaced by Texmate.

### USER'S RESPONSIBILITY

We are pleased to offer suggestions on the use of our various products either by way of printed matter or through direct contact with our sales/application engineering staff. However, since we have no control over the use of our products once they are shipped, NO WARRANTY WHETHER OF MERCHANTABILITY, FITNESS FOR PURPOSE, OR OTHERWISE is made beyond the repair, replacement, or refund of purchase price at the sole discretion of Texmate. Users shall determine the suitability of the product for the intended application before using, and the users assume all risk and liability whatsoever in connection therewith, regardless of any of our suggestions or statements as to application or construction. In no event shall Texmate's liability, in law or otherwise, be in excess of the purchase price of the product.

Texmate cannot assume responsibility for any circuitry described. No circuit patent or software licenses are implied. Texmate reserves the right to change circuitry, operating software, specifications, and prices without notice at any time.

# TEXMATE INC

995 Park Center Drive • Vista, CA 92081-8397

Tel: 1-760-598-9899 • USA 1-800-839-6283 • That's 1-800-TEXMATE

Fax: 1-760-598-9828 • Email: sales@texmate.com • Web: www.texmate.com

Texmate has facilities in Japan, New Zealand, Taiwan, and Thailand. We also have authorized distributors throughout the USA and in 28 other countries.

For product details visit [www.texmate.com](http://www.texmate.com)

Local Distributor Address